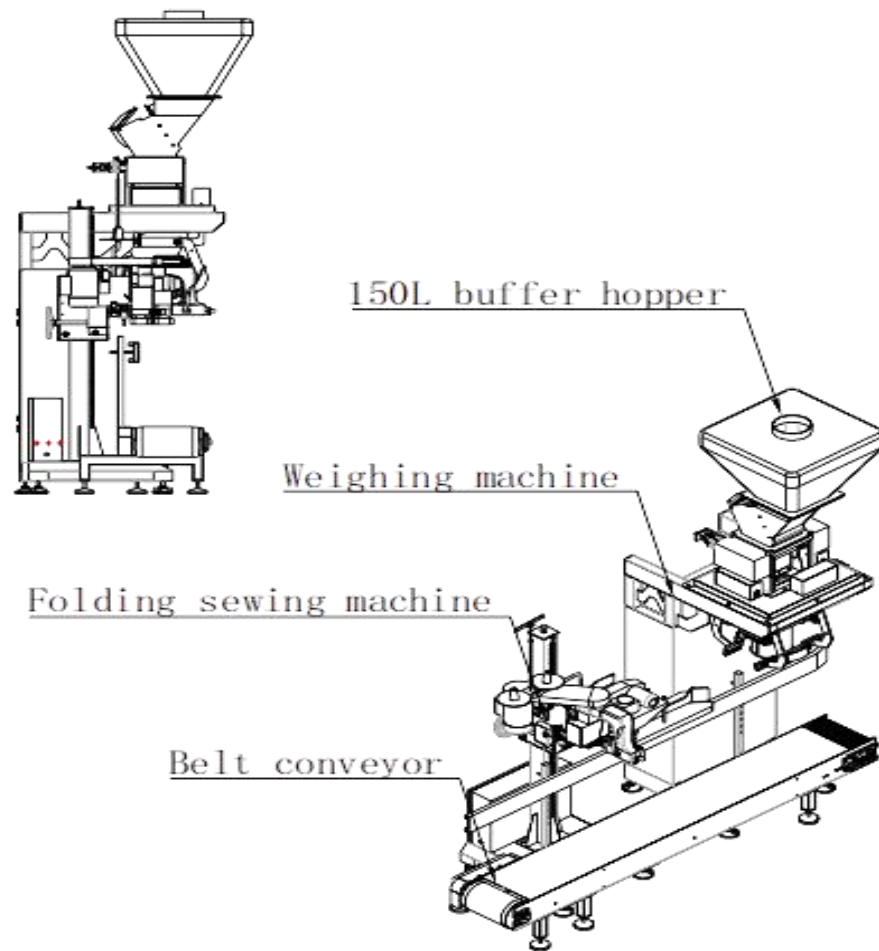
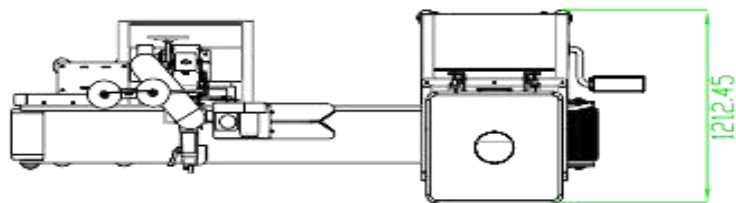
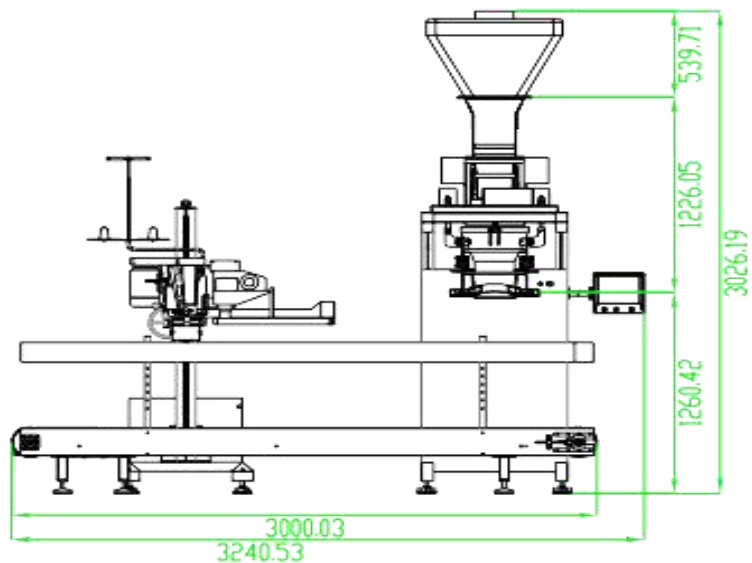


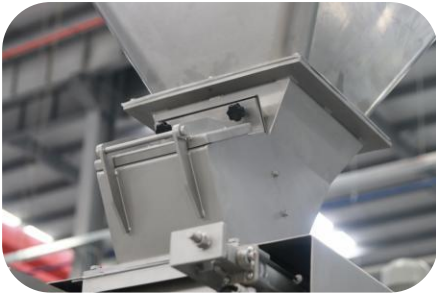
Gravity type filling machine_gross type



- This semi-automatic packing scale can be supporting for measuring, filling, sealing and conveying if combined with belt conveyor and sewing/sealing machine.
- Due to short body and flexible design on out feed filling, it is suitable for pharmaceuticals raw material, grains, animal feeds, coffee beans, plastic pellets, sugar, salt, etc.

Machine overview

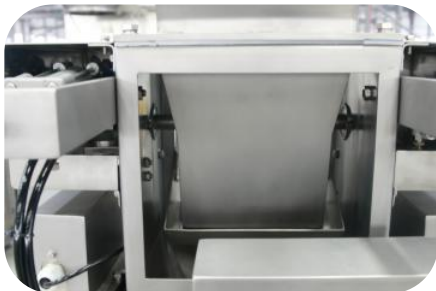




1. An empty bag manually put onto the filling spout and bag clamp, the filling cycle acts ;



2. The gravity feeder will fill the material directly into bag through the bag clamp device;



3. When the weight close to the target value, the fast feeding will stop , meanwhile the slow feeding continues filling till it reached the target value , it stops , so that to keep the high packing accurate;

Working progress



4. Empty bag will be filled with already weight products which stored in the buffer hopper ;



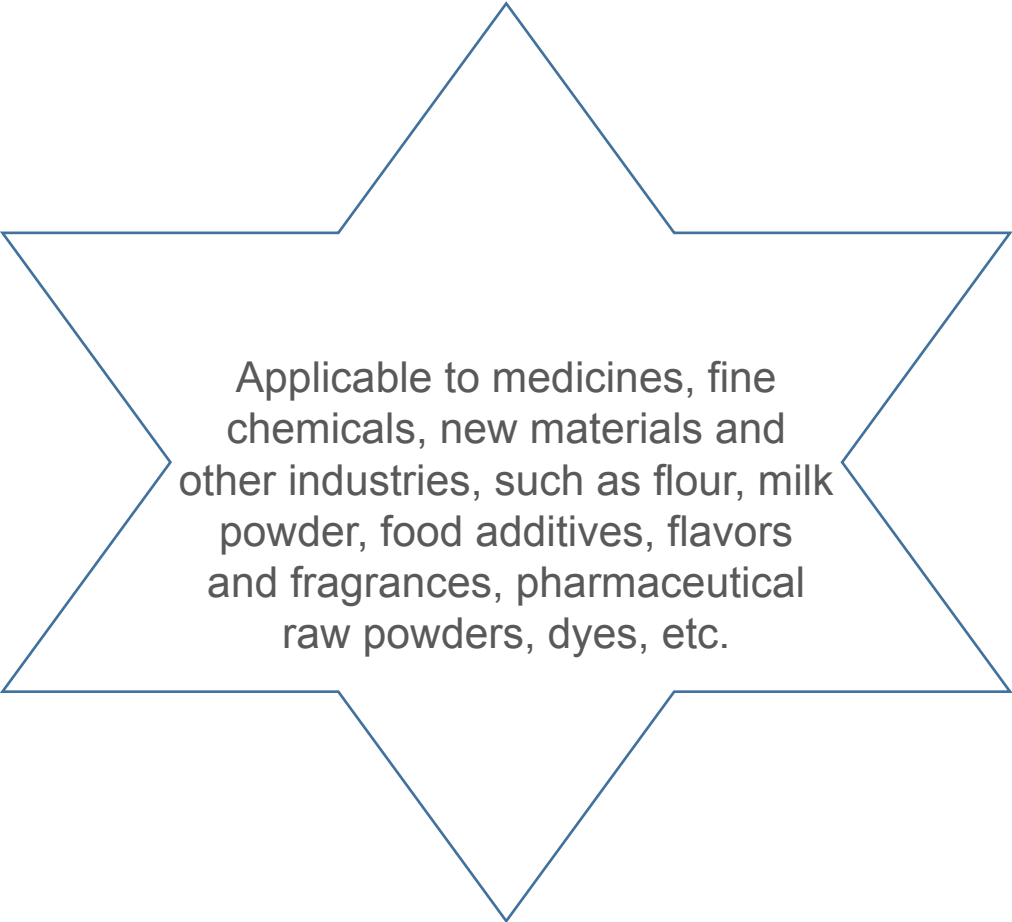
5. When filling complete, the operator is alerted and the bag was detached from the bag clamp and filling spout;
Filled bag was transported to next position to sealing .

Working progress

| Model | DCS-25A-ZD-DM | DCS-25A-ZL-DM | DCS-25A-PD-DM | DCS-25A-JL-DM | DCS-H25A-JL-DM |
|--------------------|-----------------|----------------|-----------------|-----------------|------------------|
| Filling weight | 5-25KG | 5-25KG | 5-25KG | 5-25KG | 5-25KG |
| Packing speed | 2-3bags/min | 3-4bags/min | 3-4bags/min | 2-3bags/min | 2-3bags/min |
| Accuracy | ±0.2% | ±0.2% | ±0.2% | ±0.2% | ±0.2% |
| Power supply | 220V/50Hz,1.5KW | 220V/50Hz,1KW | 380V 50Hz | 380V 50Hz | 380V 50Hz |
| Air consumption | 6m³/hr | 6m³/hr | 2.5kw | 3.6kw | 3.5kw |
| Total weight | 240kgs | 200kgs | 340KG | 400KG | 500KG |
| Overall dimensions | 750*800*1350mm | 630*800*1230mm | 1200*800*1350mm | 1500*800*1300mm | 1005*1530*2290mm |

| No. | Parts Name | Model | Material/Supplier | Quantity | Remark |
|-----|------------------|---------------|-------------------|----------|--------|
| 1 | Sensor | HM11-50kg | AVIC Electric | 3 | |
| 2 | Travel switch | 7166 | OMRON | 2 | |
| 3 | Cylinder | CQ2D50-100DMZ | SMC | 2 | |
| 4 | Cylinder joint | Y-G05(CQ2) | SMC | 2 | |
| 5 | Solenoid valve | SY7120-5DD-02 | SMC | 1 | |
| 6 | Oil-water filter | AC30-03-A | SMC | 1 | |

Spare Parts List



Applicable to medicines, fine chemicals, new materials and other industries, such as flour, milk powder, food additives, flavors and fragrances, pharmaceutical raw powders, dyes, etc.

Application Scope